



**Simplicity Bubblers**  
Chilled Beverage Dispensers 2x18 L,  
agitator model with locking lid and UK  
plug

ITEM # \_\_\_\_\_

MODEL # \_\_\_\_\_

NAME # \_\_\_\_\_

SIS # \_\_\_\_\_

AIA # \_\_\_\_\_



CCCRKX (ECS2D22UK) \* NOT TRANSLATED \*

### Main Features

- Agitation function for fresh juices, coffees, or teas with minimal foaming system.
- Easy-off bowl release system for faster and easier assembly and disassembly.
- User friendly design enables machine to dispense product till the very last drop.
- Two flavors dispensed with 18 L easy-clean bowls with 23 cm cup clearance.

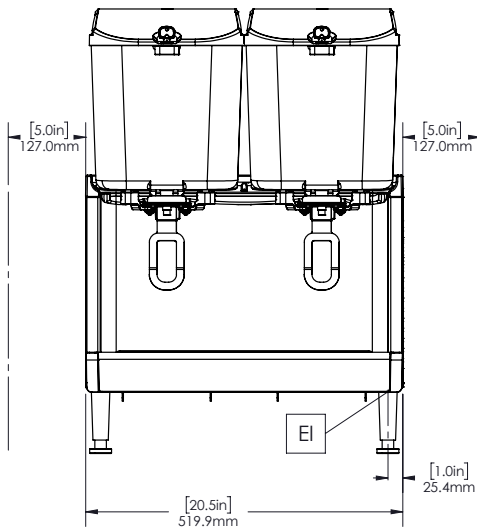
### Construction

- Temperature range from 1.7 - 5° C.
- Compact size of 52 cm wide saves valuable counter space.
- Refrigerant type: R290.
- Pre-mix dispenser with stainless steel base and clear plastic bowls.
- Fewer removable parts to simplify cleaning and reduce maintenance.
- The air intakes from the bottom and exhaust to back.
- Locking lid for added safety against tampering.

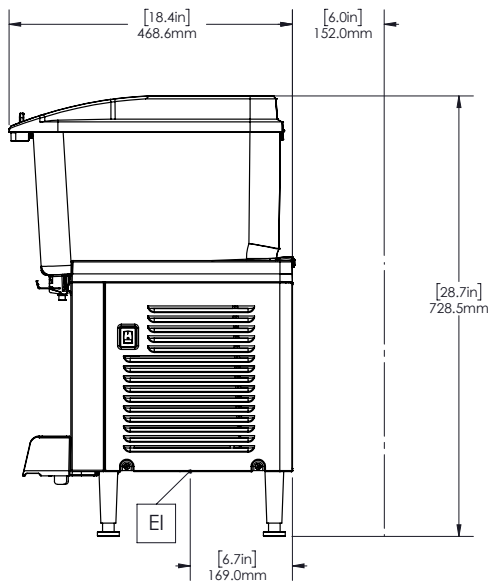
APPROVAL: \_\_\_\_\_



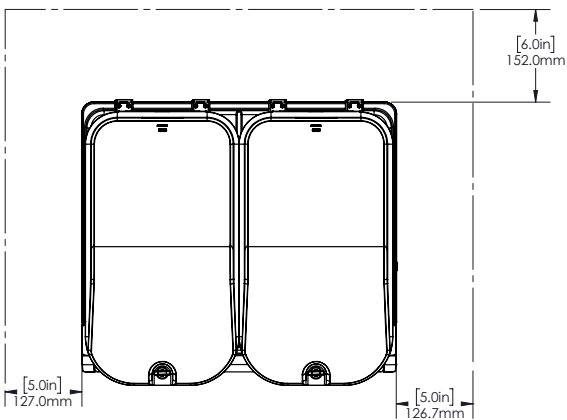
Front



Side



Top





**Electrolux**  
PROFESSIONAL

**Simplicity Bubblers**  
**Chilled Beverage Dispensers 2x18 L,**  
**agitator model with locking lid and UK plug**

### Electric

Supply voltage: 220-240 V/1N ph/50/60 Hz  
Electrical power max.: 0.6 kW

### Key Information:

Net weight: 32 kg  
Shipping weight: 37 kg  
Shipping height: 650 mm  
Shipping width: 500 mm  
Shipping depth: 650 mm

### Sustainability

Refrigerant type: R290  
Refrigerant weight: 85 g



**Simplicity Bubblers**  
**Chilled Beverage Dispensers 2x18 L, agitator model with locking lid and**  
**UK plug**  
The company reserves the right to make modifications to the products  
without prior notice. All information correct at time of printing.

2026.04.15